

Where the fire rated junction is included in a fire separation wall, refer to the fire protection designer for the FRR of the wall

C-track fixings 400 crs max. with Hilti X-ENP-19 L15MX Nails to steelwork

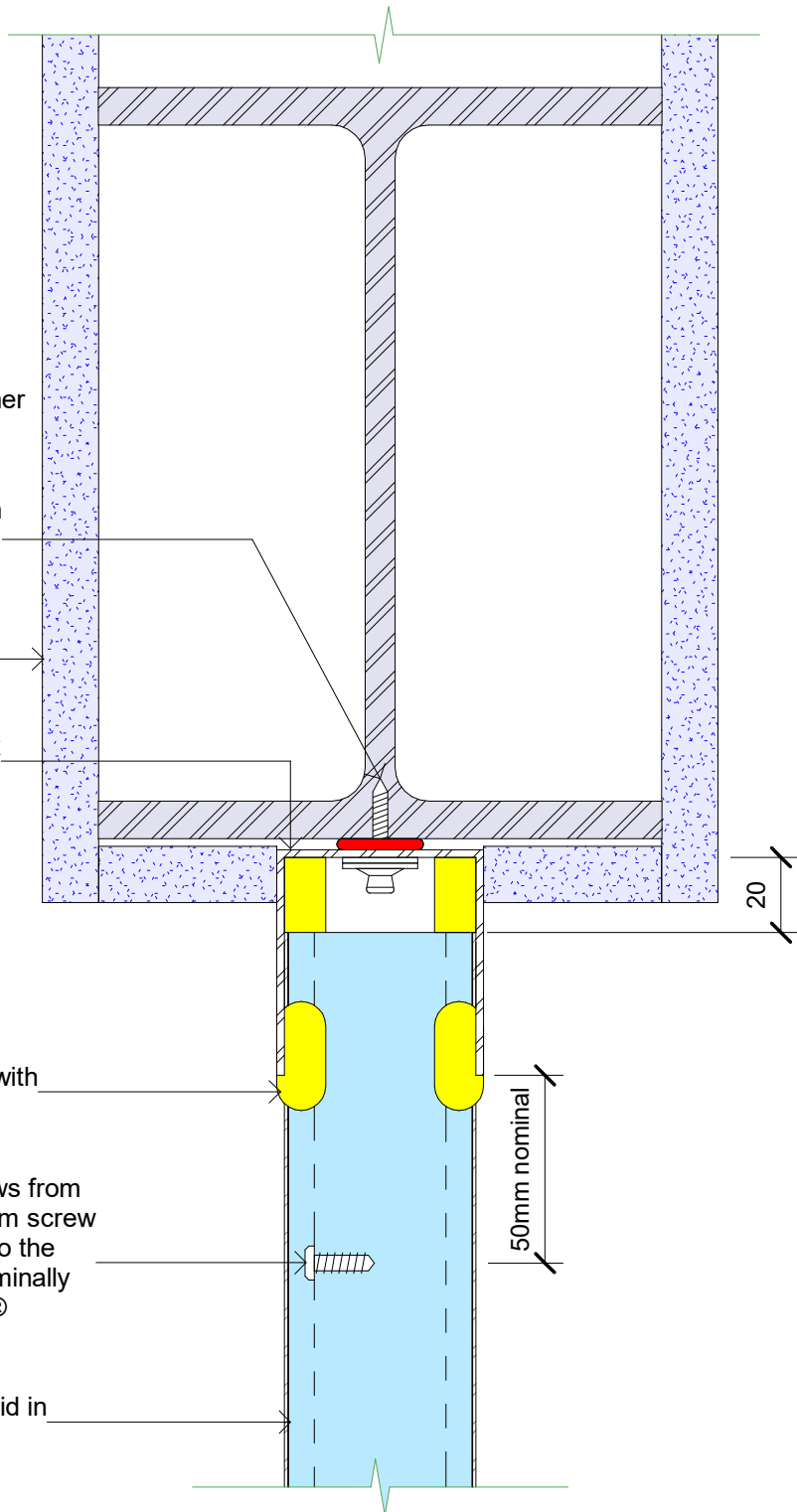
Promatect 250 Board

KOROK® C-track 60 x 51 x 60 x 1.15 BMT

Fire Rated Sealant laid in with caulking gun as specified

Note: When omitting screws from the top C-track 10g x 16mm screw fixings are to be placed into the KOROK® panel joints, nominally 50mm below the KOROK® C-Track one side only

KOROK® 51mm panels laid in vertical orientation



Sealant configuration - All sealant locations in red and a minimum of 2 yellow beads are required for each C-Track

Promatect 250 Board minimum 15mm thick installed as per manufacturer's instructions and engineer's specifications



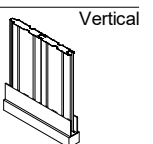
KOROK®

Deflection Head 20mm

KOROK® 51mm Panel deflection head detail FRR -/60/60

File: korok_deflect.rvt	Date: May 2023	Scale: 1 : 2
Issue: 23a		
Reference		

KOROK_KDF_51060_008



Vertical