

Fire Rated Plasterboard 13mm strip x 120mm wide fixed to the KOROK® C-track with pairs of 6g x 22mm screw fixings at 250mm centres. Screw location in line with the 250mm vertical KOROK® panel joints

KOROK® fire flashing

13mm fire rated strip for FRR -/60/60

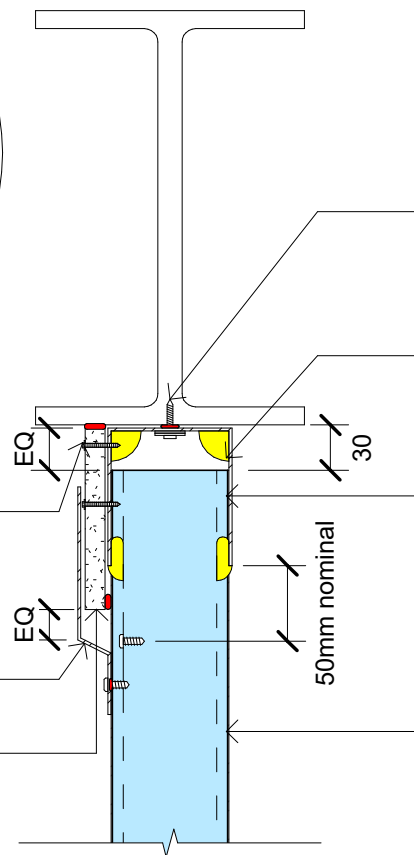
Note: When omitting screws from the top C-track 10g x 16mm screw fixings are to be placed into the KOROK® panel joints, nominally 50mm below the KOROK® C-Track one side only

KOROK® fire flashing not shown for clarity

Fire Rated Plasterboard 13mm Strip x 120mm wide fixed to the KOROK® Top track with pairs of 6g x 22mm screw fixings at 250mm centres. Screw location in line with the 250mm vertical KOROK panel joints

Note: When omitting screws from the top C-track 10g x 16mm screw fixings are to be placed into the KOROK® panel joints, nominally 50mm below the KOROK® C-Track one side only

KOROK® C-track 90 x 80 x 90 1.15 BMT



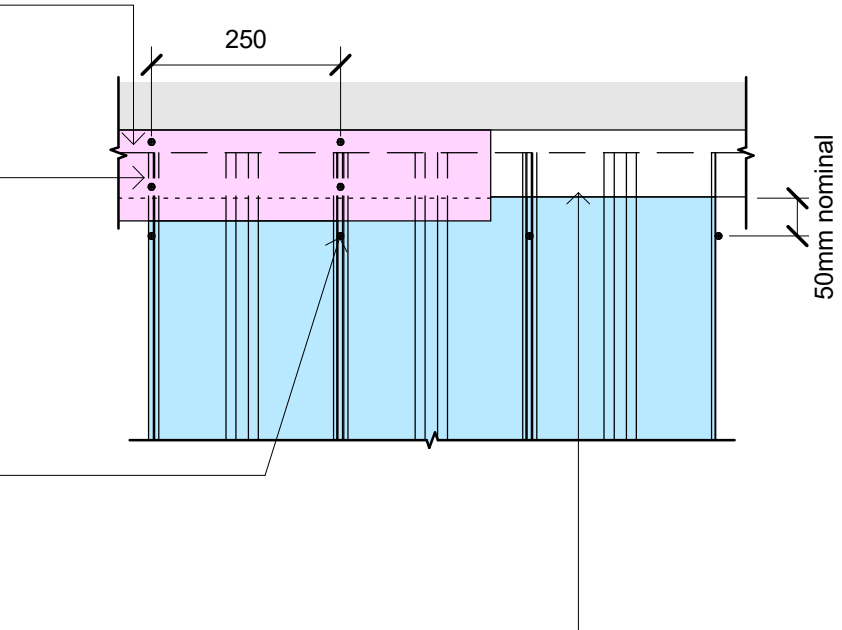
Where the fire rated junction is included in a fire separation wall, refer to the fire protection designer for the FRR of the wall

Fixings @ 400mm centres into the supporting structure

Sealant config - All red and minimum 2 x yellow for each C-Track

KOROK® C-track 90 x 80 x 90 x 1.15 BMT

KOROK® 78mm panels laid in vertical orientation



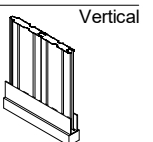
KOROK®

Deflection Head 30mm

KOROK® 78mm Panel deflection head detail 30mm gap -/60/60

File: korok_deflect.rvt	Date: May 2023	Scale: As indicated
Issue: 23a		
Reference		

KOROK_KDF_78060_001a



Vertical